



US0D1039701S

(12) **United States Design Patent**
Al-Husseini et al.

(10) **Patent No.:** **US D1,039,701 S**
(45) **Date of Patent:** **** Aug. 20, 2024**

(54) **MEDICAL WEARABLE WITH ANALOG
BUTTON MATRIX INTERFACE**
(71) Applicants: **Mahdi Al-Husseini**, Douglasville, GA
(US); **Tanner Rothstein**, Saint Cloud,
MN (US); **Reid Priestly**, Benbrook, TX
(US)

5,218,577 A * 6/1993 Seager G04B 47/00
379/430
5,224,076 A * 6/1993 Thorp H04B 1/385
368/282
5,239,521 A * 8/1993 Blonder H04B 1/385
368/282

(Continued)

(72) Inventors: **Mahdi Al-Husseini**, Douglasville, GA
(US); **Tanner Rothstein**, Saint Cloud,
MN (US); **Reid Priestly**, Benbrook, TX
(US)

FOREIGN PATENT DOCUMENTS

GB 6299254 * 8/2023
IN 375982-001-0001 * 1/2023

(**) Term: **15 Years**

OTHER PUBLICATIONS

(21) Appl. No.: **29/847,426**

Analog Devices, Analog Devices and Wearable Electronics, Down-
loaded on: Oct. 19, 2023, Analog.com, Retrieved from Internet:
[https://www.analog.com/en/education/education-library/videos/
4103112798001.html](https://www.analog.com/en/education/education-library/videos/4103112798001.html) (Year: 2023).*

(22) Filed: **Jul. 25, 2022**

(51) **LOC (14) Cl.** **24-02**

(52) **U.S. Cl.**
USPC **D24/167**

(58) **Field of Classification Search**

USPC D24/107, 165-169, 185-188;
D14/138 R, 138 AA, 344, 192;
D10/30-32, 38, 70, 61, 46, 98; D11/3,
D11/42
CPC G16H 10/00; G16H 10/60; G16H 15/00;
G16H 50/00; G16H 50/20-80; G16H
80/00; G16H 20/00; G16H 20/30; G06K
19/07762; A61B 5/0205; A61B 5/4866;
A61B 5/68; A61B 5/6801-6829; A61B
2560/00; A61B 2560/06; A61B
2560/0431; A61B 2560/0412; A61B
2560/0425; A61B 2560/0462; G04G
21/025

See application file for complete search history.

Primary Examiner — Jennifer L Rempfer
Assistant Examiner — Edward P Jones

(57) **CLAIM**

The ornamental design for a medical wearable with analog
button matrix interface, as shown and described.

DESCRIPTION

FIG. 1 is a perspective view of a medical wearable with
analog button matrix interface showing our new design; and
FIG. 2 is a first side elevation view thereof; and
FIG. 3 is a second side elevation view thereof; and
FIG. 4 is a third side elevation view thereof; and
FIG. 5 is a fourth side elevation view thereof; and
FIG. 6 is a top plan view thereof; and,
FIG. 7 is a bottom plan view thereof.

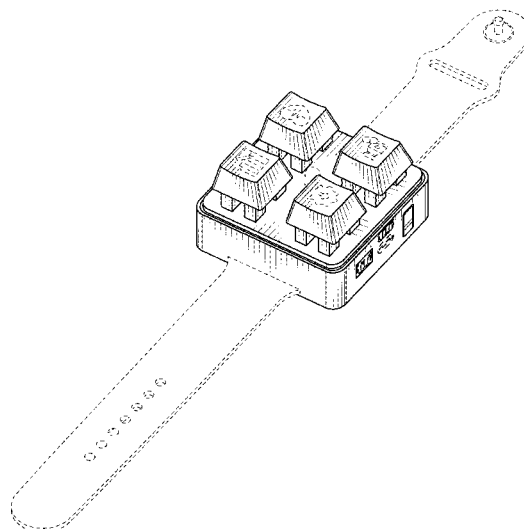
The broken lines in the drawings depict portions of the
medical wearable with analog button matrix interface that
form no part of the claim.

(56) **References Cited**

U.S. PATENT DOCUMENTS

4,847,818 A * 7/1989 Olsen H04B 1/385
968/405
5,008,864 A * 4/1991 Yoshitake H04B 1/385
379/430

1 Claim, 5 Drawing Sheets



(56)

References Cited

U.S. PATENT DOCUMENTS

D381,653 S * 7/1997 Voroba D14/138 R
D466,879 S * 12/2002 Wada D10/31
D482,671 S * 11/2003 DiDonato D14/138
D621,808 S * 8/2010 Kim D14/138 R
D731,469 S * 6/2015 Turksu D14/218
D753,510 S * 4/2016 Puttorngul D14/344
D759,622 S * 6/2016 Dahlberg D14/344
D765,655 S * 9/2016 Tao D10/70
D792,396 S * 7/2017 Han D14/344
D899,605 S * 10/2020 Ross D24/186
D916,080 S * 4/2021 Arshad D14/344
D924,230 S * 7/2021 Berganza D14/344
2018/0085058 A1 * 3/2018 Chakravarthi G16H 40/67
2022/0128951 A1 * 4/2022 Trapero Martin A61B 5/681

* cited by examiner

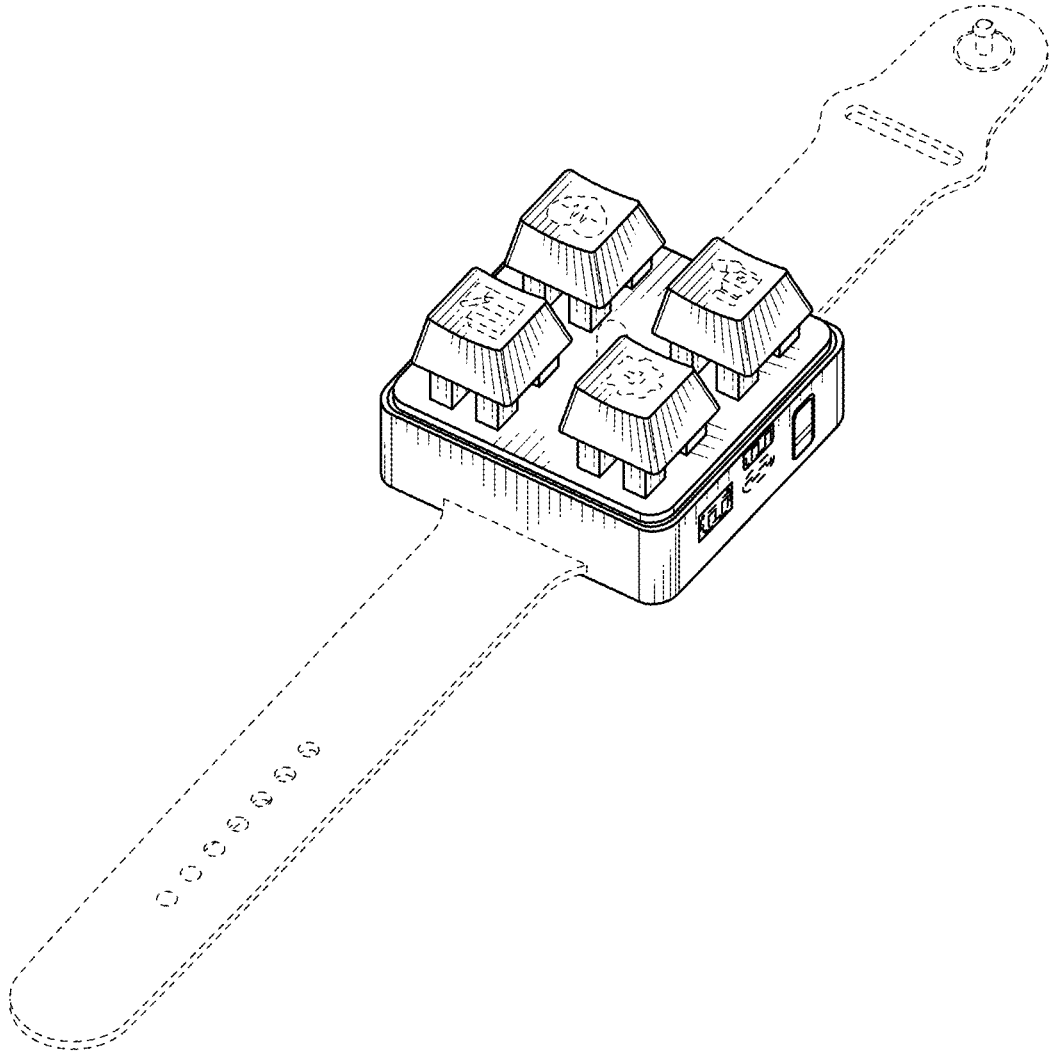


FIG. 1

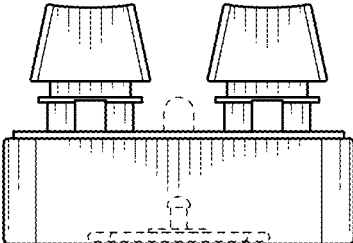


FIG. 2

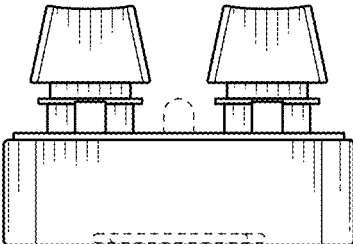


FIG. 3

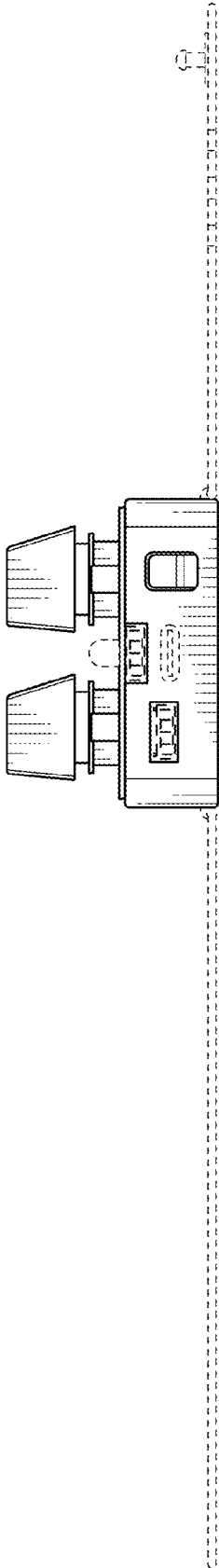


FIG. 4

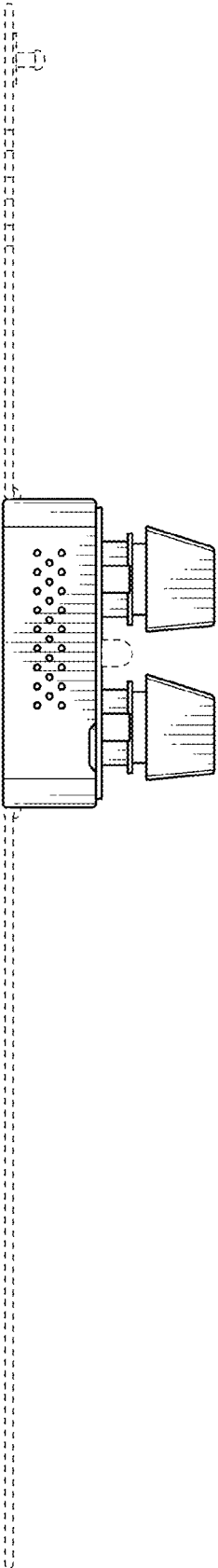


FIG. 5

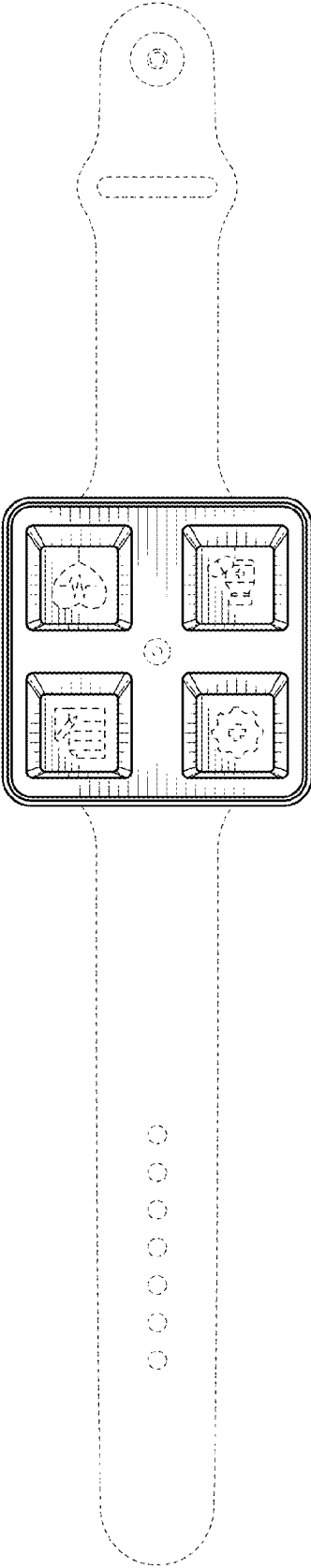


FIG. 6

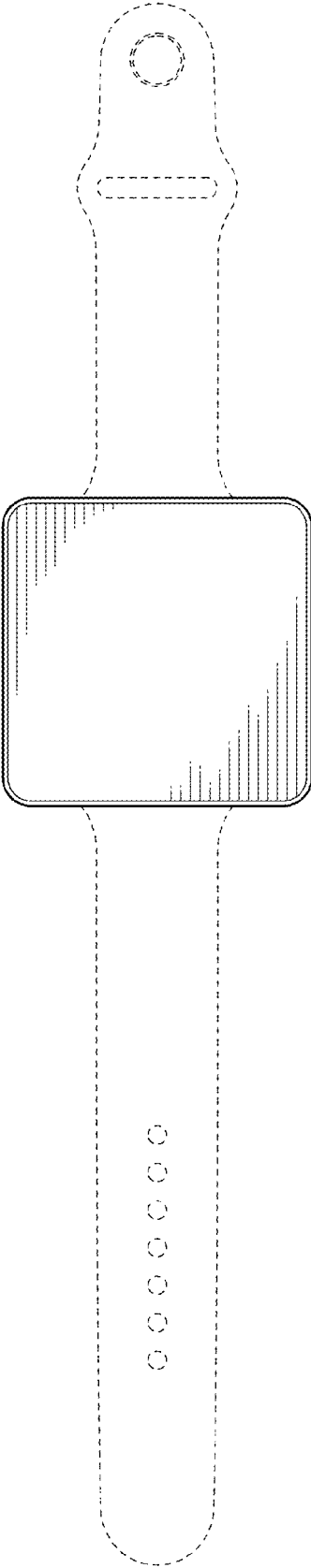


FIG. 7